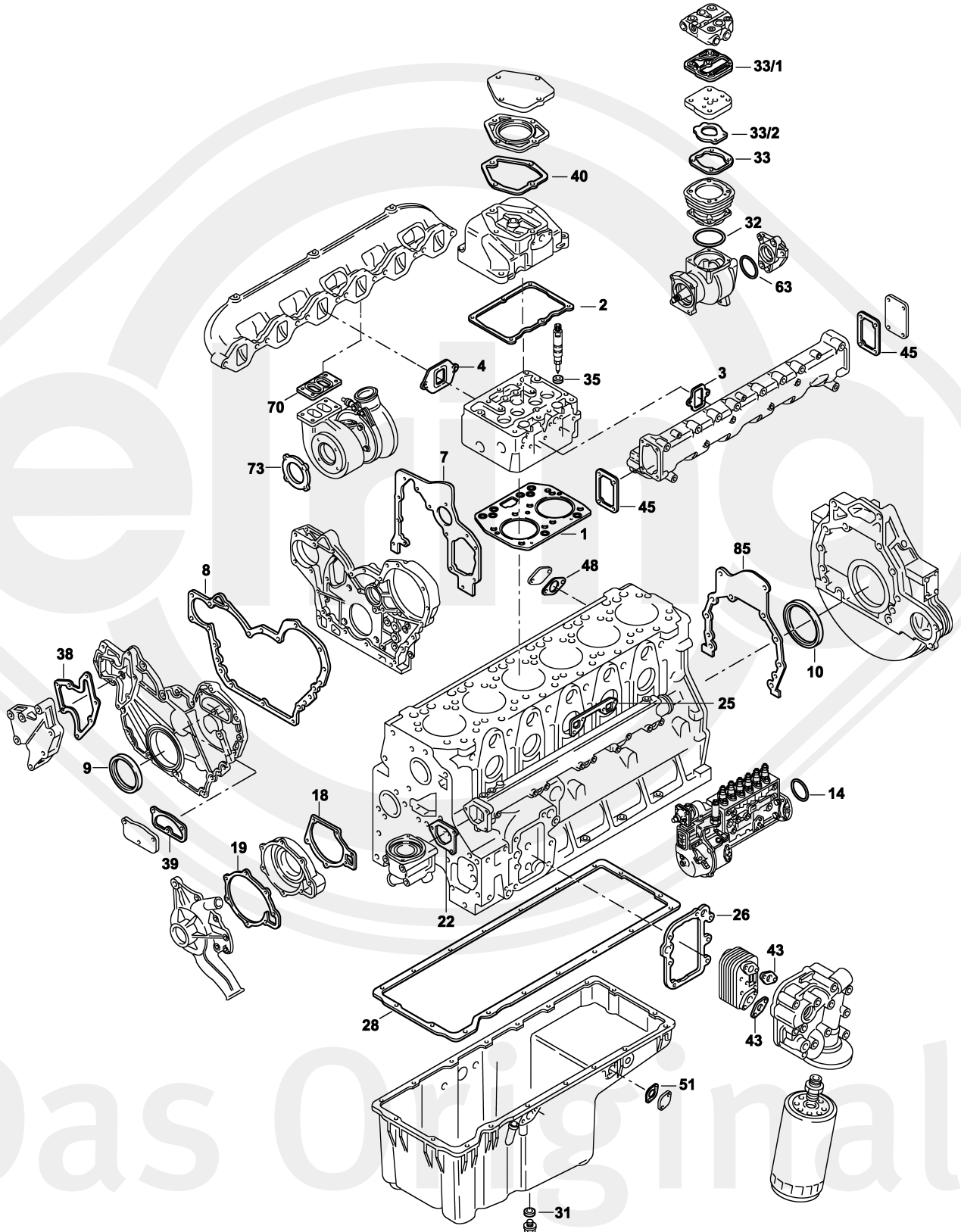




Das Original

MAN

D 0826 | D 0836

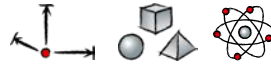





Das Original



D 0826 LF | GF

D 0836 LF | LFG | LFL | LOH | LUH



S*	921.742	1x	51.00900-6566	–	D 0826 LF 
S*	921.760	1x	51.00900-6532	–	D 0826 LF 
S*	750.027	1x	51.00900-6531	–	D 0826 GF 
S*	804.422	1x	51.00900-6627	–	D 0836 LF 01-05 LFL 01-06/08/10/16 LOH 01-04
ES	835.641	3x	51.00900-6550	–	D 0826 GF 01-04 GFA 01-04 OH 01-03 LFL 03/06-10
ES	636.320	3x	51.00900-6628	–	D 0836 LF 01-05 LFL 01-06/08/10/16 LOH 01-04
CS*	146.360	1x	51.00900-6604	–	D 0826
ZKHS	181.500	1x	–	–	D 0836 LF 41-44 LFG 50 LFL 40-55 LOH 40-63 LUH 40-50
ZKS	820.245	3x	–	S14x2x140	–
ZKS	182.430	3x	–	M14x2x152	D 0836 LF 41-44 LFG 50 LFL 40-55 LOH 40-63 LUH 40-50
1	845.710	3x	51.03901-0379	Ø 109 mm	–
2	636.311	3x	51.03905-0155	Metaloseal	D 0836
2	835.634	3x	51.03905-0148	EWP/soft material	D 0826
2	660.541	1x	51.03905-0167	Elastomer/Rubber/Caoutchouc/Goma	D 0836 LF 41-44 LFG 50 LFL 40-55 LOH 40-63 LUH 40-50
3	639.010	6x	51.08902-0179	–	–
3	373.240	6x	51.08902-0212	–	D 0836 LF 41-44 LFG 50 LFL 40-55 LOH 40-63 LUH 40-50
4	277.762	6x	51.08901-0027	–	–
4	165.690	6x	51.08901-0200	–	D 0836 LF 41-44 LFG 50 LFL 40-55 LOH 40-63 LUH 40-50
5	295.710	6x	51.04902-0029	10x13,6/18x10 FPM	–
7	895.289	1x	51.01903-0305	EWP/soft material	–
7	977.333	1x	51.01903-0297	EWP/soft material	–
8	895.296	1x	51.01903-0262	–	–
9	749.983	1x	51.01510-0237	66x90x12 BS LA RD FPM	–
10	323.772	1x	51.01510-0151	110x130x13 BS SP LD FPM	–
10	503.209	1x	51.01510-0218	110x130x13 AW/BS LD PTFE/ACM	–
14	518.158	1x	51.96501-0415	78x3 FPM RD	–
18	895.361	1x	51.06901-0118	–	–



D 0826 LF | GF

D 0836 LF | LFG | LFL | LOH | LUH



19	895.378	1x	51.06901-0119	-	-
22	895.387	1x	51.06904-0023	-	-
25	811.930	3x	51.06903-0030	-	-
26	062.130	1x	51.05901-0139	-	-
28/1	845.400	1x	51.05904-0195	Elastomer/Rubber/Caoutchouc/ Goma	FE
28/2	895.319	1x	51.05904-0139	EWP/soft material	AL
31	804.360	1x	06.56631-0109	18,7x26x1,5 FE/FPM A	FE
31	122.904	1x	06.56190-0713	18x24x1,5 CU A	AL
32	597.791	1x	81.96503-0018	94x3 ACM RD	-
33		1x	81.54901-0084	-	300 cm ³
33/1	717.870	1x	81.54901-0102	-	300 cm ³
33/2	061.440	1x	81.54116-0002	-	-
35	296.660	6x	51.98701-0090	7,3x15x1 CU A	-
38	811.884	1x	51.01903-0295	-	-
39		1x	51.01903-0294	-	-
40		2x	51.03905-0130	-	-
43	896.489	2x	51.96601-0546	-	-
45	414.030	1x	51.08902-0139	-	-
48		1x	51.96601-0474	-	-
51	922.138	1x	06.56259-0033	-	-
63	-	1x	06.56342-4242	88x3 NBR RD	-
70	299.911	1x	51.09901-0051	-	-
73	891.207	1x	51.09901-0036	-	-
85	925.056	1x	51.01903-0273	-	SAE 1; 2
85/1	811.891	1x	51.01903-0243	-	SAE 3