

Elring – Das Original



Das Original



Elring service takes you further

1 Elring

- 4 Elring – experience breeds innovation
- 5 Elring – 10 good reasons
- 6 Company history
- 7 At home around the globe

2 Products and technologies

- 8 Safety first – original Elring products
- 11 Cylinder-head gaskets
- 12 Gasket sets
- 14 Cylinder-head bolt sets
- 16 Sealing compounds
- 17 Gasket assortments, Valve covers
- 18 Spare parts for e-mobility

3 Customer support

- 22 Training truck
- 23 Storage systems
- 24 Exploded-view drawings
- 25 Elring Academy
- 26 Online-Trainings
- 27 Social media

Elring – experience breeds innovation

As an automotive supplier, ElringKlinger has become a trusted partner to its customers – with a firm commitment to shaping the future of mobility. Be it optimized combustion engines, high-performance hybrids, or environmentally-friendly battery and fuel cell technology, ElringKlinger provides innovative solutions for all types of drive systems. ElringKlinger's lightweighting concepts help to reduce the overall weight of vehicles. As a result, vehicles powered by combustion engines consume less fuel and emit less CO₂, while those equipped with alternative propulsion systems benefit from an extended range. In response to increasingly complex combustion engine technology, the Group also continues to make refinements with regard to gaskets in order to meet the highest possible standards. This is complemented by solutions centered around thermal and acoustic shielding technology. Additionally, the Group's portfolio includes products made of the high-performance plastic PTFE which are also marketed to industries beyond the automotive sector. These efforts are supported by a dedicated workforce of more than 9,500 employees at 45 ElringKlinger Group locations around the globe.

The Elring aftermarket brand offers an all-embracing package: original equipment quality, functional reliability, and premium, end-to-end service. This includes, for example, sales and technical training, service information, exploded-view drawings for trucks and vans, monthly newsletters focusing on engine sealing solutions, an online sealing compound wizard, professional installation videos, the Elring Academy, the training truck, and much more besides.

Original Elring products are acknowledged among dealers, mechanics, and customers around the globe. These products include cylinder-head and sealing systems, oil seals and valve stem seals, sealing compounds, and threadlockers as well as cylinder-head bolt and complete gasket sets – for full- and partial servicing. You can also discover our innovations for e-drives.

Elring – 10 good reasons

1. A byword for engineering excellence in gasket technology for more than 140 years
2. OE expertise from ElringKlinger AG – series supplier and technology leader for the global automotive industry
3. Elring spare parts in original equipment quality
4. Extensive product range
5. Gasket sets tailored to the requirements of engine repair
6. Market-focused range of spare parts for cars and commercial vehicles
7. High-performance universal sealing compounds: Dirko™, Curil™ T2, as well as threadlockers, surface sealants and other anaerobic sealing compounds
8. Product data and additional information in online catalog, on TecDoc, and ACES & PIES
9. Installation videos available online
10. Free technical service hotline: +49 7123 724-799

Company history

ElringKlinger can look back on over 140 years of company history. Over time, a lot has happened: Our product portfolio expanded, new locations were established and other companies were taken over. Take a look at our history.

1879

Paul Lechler sets up a trading company for technical articles in Stuttgart (later to become Elring GmbH).

1924

The first Lechler cylinder-head gaskets are produced.

2011

ElringKlinger AG has closed the transaction relating to the acquisition of the Static Flat Gaskets business from Freudenberg Group, Weinheim, Germany.

2019

140th anniversary of ElringKlinger.

1885

Richard Klinger sets up a design workshop in Vienna.

1994

Merger of Elring GmbH with the Automotive sector of Richard Klinger GmbH to form ElringKlinger GmbH.

2017

ElringKlinger AG acquires a strategic interest of 27% in the engineering firm hofer AG. The transaction includes a 53% majority stake for ElringKlinger in hofer powertrain products GmbH, a subsidiary of the Nürtingen-based group.

2021

Establishment of EKPO Fuel Cell Technologies GmbH joint venture by ElringKlinger and Plastic Omnium to accelerate the advancement of hydrogen mobility.

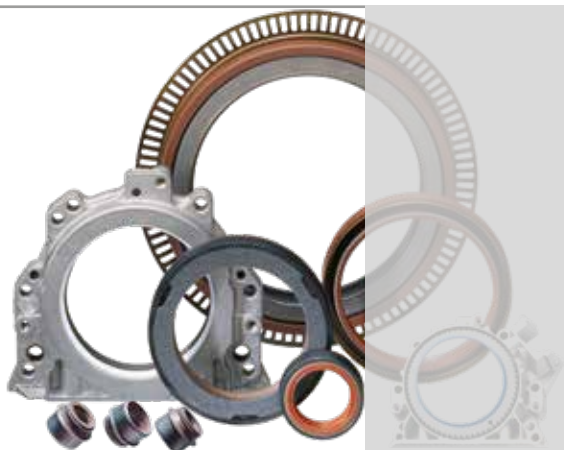
At home around the globe – with cutting-edge technologies

As an international automotive supplier, we have established a presence wherever our customers choose to base their operations. We manufacture innovative products at 45 sites worldwide – solutions tailored to all relevant drive systems. Operating with an extensive distribution network that spans the globe, we are also able to offer customers a broad range of premium-quality spare parts. In fact, our aftermarket products for professional repairs and servicing are available in more than 140 countries – to ensure that vehicles keep moving.



Safety first: original Elring products

Elring provides everything you need from a single source. When it comes to professional repairs, you can always rely on original gaskets, gasket sets, and service parts from Elring – your trusted aftermarket partner with a pedigree of excellence in original equipment manufacturing.



Suitable for:

ALFA ROMEO | AUDI | BENTLEY | BMW | BUICK | CADILLAC | CATERPILLAR
CHERY | CHEVROLET CHRYSLER | CITROËN | CUMMINS | DACIA
DAEDONG | DAEWOO | DAF | DAIHATSU | DETROIT DIESEL | DEUTZ | DODGE
DS | FAW AUDI | FAW VOLKSWAGEN | FIAT | FORD | FREIGHTLINER
GEELY | GMC | HINO | HOLDEN | HONDA | HYUNDAI | IHC | ISUZU | IVECO
JAGUAR | JEEP | JENBACHER | KIA | LADA | LANCIA | LAND ROVER | LDV
LIEBHERR | MAN | MAZDA | MERCEDES-BENZ | MINI | MITSUBISHI | MTU
MWM | NEW HOLLAND | NISSAN | OLDSMOBILE | OPEL | PEUGEOT
PONTIAC | PORSCHE | RENAULT | ROLLS-ROYCE | ROVER | RVI | SAAB
SATURN | SCANIA | SEAT | SETRA | SKODA | SMART | SSANGYONG
SUBARU | SUZUKI | SVW SKODA | SVW VOLKSWAGEN | TOYOTA | VAUXHALL
VOLKSWAGEN | VOLVO | WESTERN STAR | WIESMANN



etring
Das Original

Cylinder-head gaskets – Over 100 years of expertise and innovation

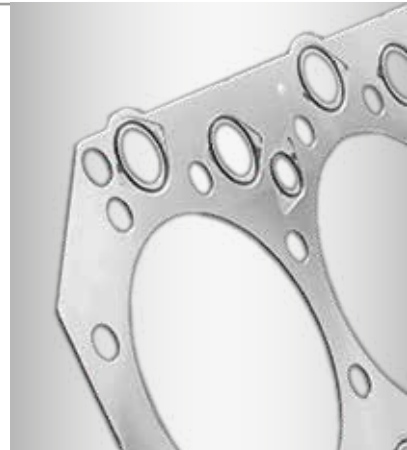
Metaloflex™, metal-elastomer, and metal/soft-material solutions – tailored to the specific requirements of modern engines.



Metaloflex™ by ElringKlinger is acknowledged around the globe as a brand that epitomizes innovation in metal layer cylinder-head gaskets made of beaded, elastomer-coated spring steel layers for diesel engines and high-performance gasoline engines with direct injection.



Metal-elastomer cylinder-head gaskets consist of metal carriers with vulcanized elastomer profiles and have been specially engineered for high-performance engines – with turbocharging and intercooling – used in the commercial vehicle sector.



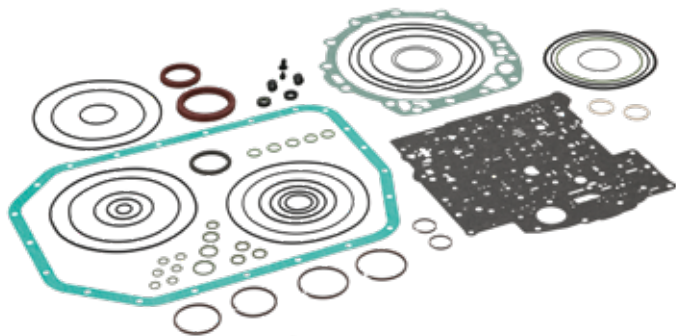
ElringKlinger metal/soft-material cylinder-head gaskets consist of a serrated carrier plate with a soft lining rolled onto both sides – for the overhaul and repair of used engines.



Hands-on experience for superior sealing

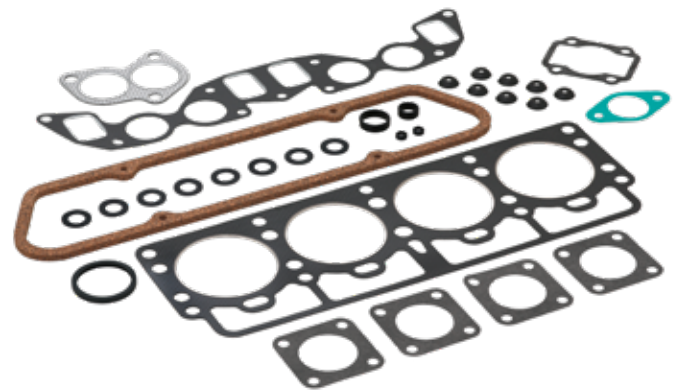
Flexible sealing systems for all applications.

Elring can supply the right gaskets (Metaloseal™, elastomer, soft material) for a variety of sealing applications in engines, gearboxes, exhaust systems and auxiliaries: gaskets for sumps, intake and exhaust manifolds, water pumps, compressors, turbochargers, gearboxes and axles. Both materials and design are optimally matched to the relevant application and the specific requirements.



Gasket sets – complete and ready to hand.

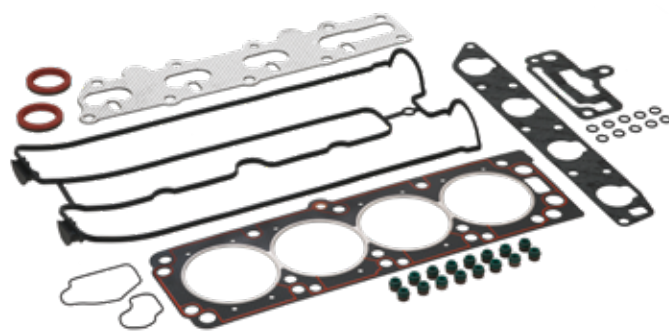
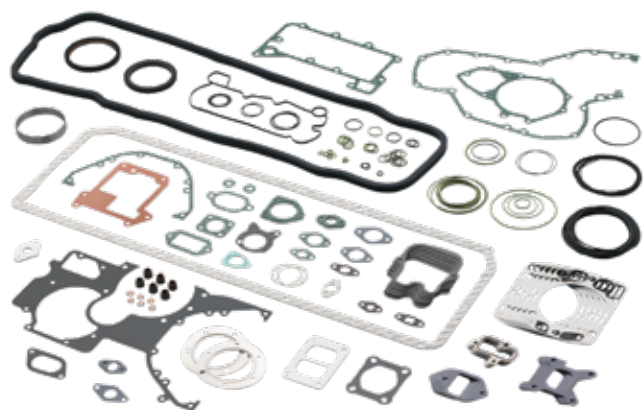
For professional repairs and maintenance, all components have to fit perfectly, be precisely matched, and readily available. For full and partial overhauls of engines, gearboxes, and other assemblies, Elring offers a comprehensive range for car and truck engines. Elring supplies gasket sets tailored to the respective engine repair job, e.g., full sets (S), cylinder-head sets (ES), conversion sets (CS), water pump sets (WPS), transmission sets (GSM). This saves time and effort when it comes to ordering, warehousing, and installation.





Key benefits of Elring transmission sets.

Benefit from our new range of gaskets and gasket sets for the professional repair of automatic transmissions as well as full technical support via our free service hotline.



Cylinder-head bolt sets – for 100% reliability



Supplied in tested quality for the majority of cars and commercial vehicles. Assorted for specific engine repair jobs and supplied in special packaging with thread protection.

Next-generation engines come with improved sealing concepts that have been adapted to the specific engine designs. In order to ensure an extended service life of such units, it is imperative that the original condition of the engine in question is reproduced when carrying out repairs to the cylinder head. In this context, the cylinder-head bolts are of prime importance. Cylinder-head bolts are key components within the overall system when it comes to generating the requisite force to be applied to the cylinder-head gasket for sealing purposes. They ensure that the necessary compression forces are suitably distributed across the cylinder-head gasket irrespective of the state of operation. This can only be achieved with a new cylinder-head gasket in combination with new cylinder-head bolts.





Maintaining a tight seal – whatever happens

Sealing compounds.

You can see it's all about quality.

Wherever components have to be reliably sealed, Elring offers an extensive range of solutions that have proven effective in practice millions of times. These high-performance sealing compounds have been tried and tested in professional and DIY use.



Online sealing compound wizard:
Simple steps to the right product.



Threadlocker.

Safety first – for every bolt.

Securing bolts and threaded assemblies to prevent loosening is an essential component of today's health and safety requirements in the field of engineering. Elring threadlockers EL-Loc 43 and EL-Loc 70 are the perfect choice – for professional and effortless handling.



Assortments.**Practical and reliable.**

Various types and sizes of sealing rings and valve stem seals are available in our handy assortments for specific applications. Everything needed for maintenance and repair work is immediately to hand.

Complete turbocharger fitting kits.

Thanks to Elring's high-end turbocharger fitting kits and step-by-step installation guides, you can look forward to achieving professional repairs reliably and safely in no time at all.

**Elring offers rotary shaft seals.**

Oil and valve stem seals (some with sensor) in various designs, materials, and dimensions. Manufactured to certified quality standards, they are designed for use in engines, transmission systems, and axles.



Heat-resistant lightweights

The Elring valve covers are heat-resistant lightweights, which are proof against all common conditions in the engine compartment. Despite their low weight, they are rigid enough to scatter the sealing load evenly.

Plastic components by Elring – Das Original:

The ElringKlinger OE-competence from the series, custom-fit and dependable – now available for the independent aftermarket. We offer valve covers for the most popular applications of well-known car manufacturers.

**Advantages of Elring valve covers and oil pans:**

- Ready to install
- Material in OE-quality
- For professional and time-saving installation

Spare parts for e-mobility

ElringKlinger's track record of research into alternative drive technologies spans some 20 years. Research and development activities surrounding battery technology, in particular, are being pushed forward at the company's sites in Dettingen/Erms, Neuffen, and Thale.

In the field of battery technology, ElringKlinger AG has the development and manufacturing expertise necessary to offer fully fledged systems and components suitable for series production. What is more, it operates as a full-service supplier: from development to prototype construction, from testing to series production, and from individual components to complete battery systems.

Our development centers dedicated to e-mobility bring together all the necessary testing and assurance capabilities under one roof. ElringKlinger tests and validates battery systems, modules, cells, and components at a facility spanning 2,000 m². The spectrum of expertise ranges from mechanical tests to electrical and electrochemical tests. Testing options are available to ensure that all relevant test specifications and standards are met. Drawing on these capabilities, we are thus in a position to offer customers best-in-class quality.

This expertise is also finding its way into the ElringKlinger's aftermarket business. Selected spare parts for e-mobility applications are now available under the brand name Elring – Das Original. For example, the new portfolio includes a cell contact system for the BMW i3 as well as two Voltabox cell connectors and more besides. Elring is your high-performance partner for the next generation of skilled workshops.



www.elring.com

Best-in-class service, exceptional expertise, and superior safety

Our end-to-end service really makes the difference. This includes our online Elring Academy training portal, service information, exploded-view drawings, monthly newsletter with a focus on engine sealing technology, innovative installation videos, our Elring training truck, and much more besides.



Training truck



The Elring training truck is used primarily by Elring trainers for instruction purposes. The truck and our service team travel to customer venues or trade shows. A show engine has been installed on the truck bed for training and instruction purposes.

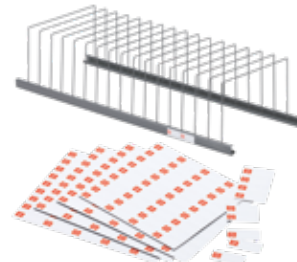


Storage systems – for well organised, secure warehousing



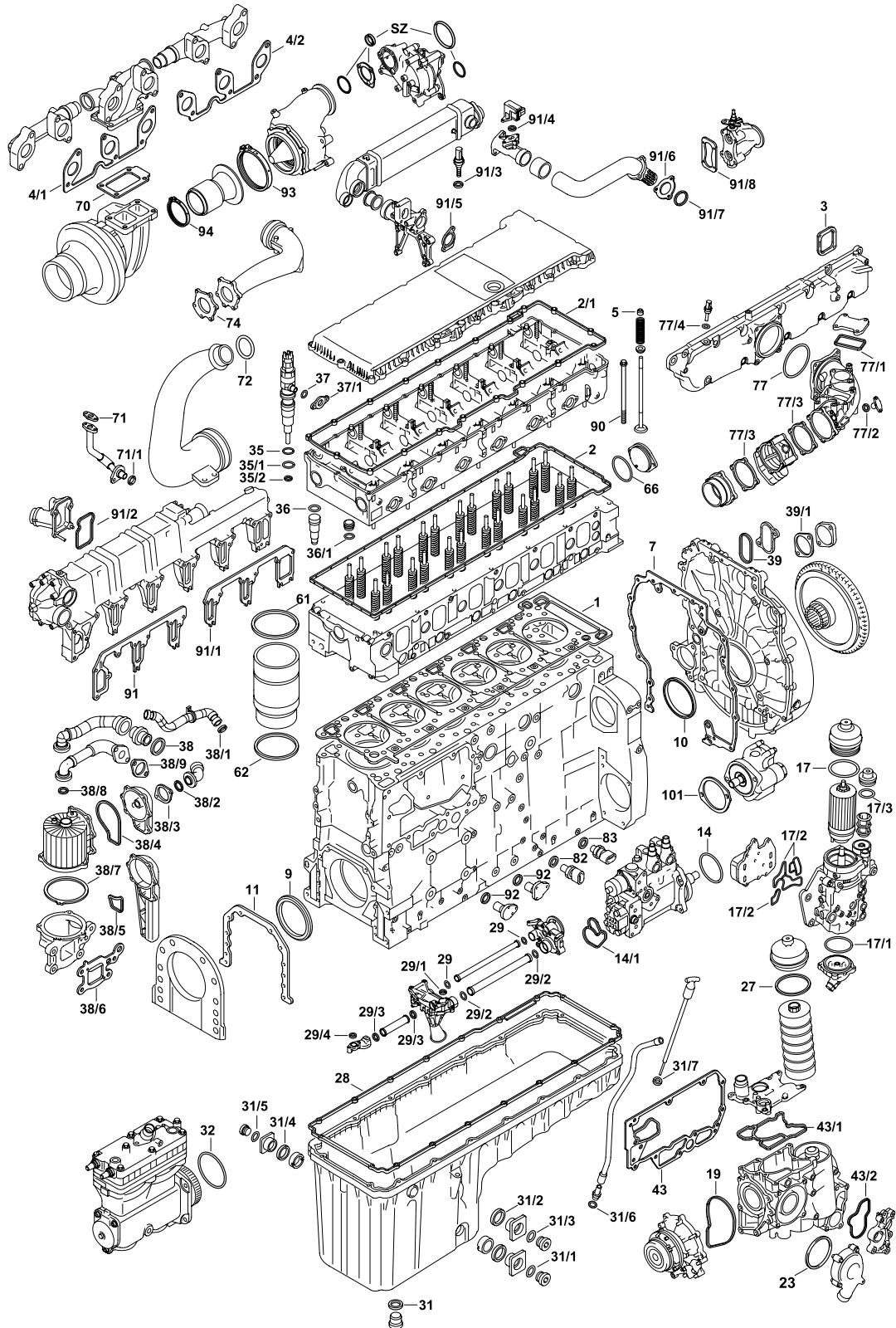
Ideal storage conditions for gaskets, gasket sets and accessories are provided by Elring storage systems which:

- Ensure tidy, professional storage
- Protect the gaskets
- Keep everything clearly arranged
- Guarantee good organisation

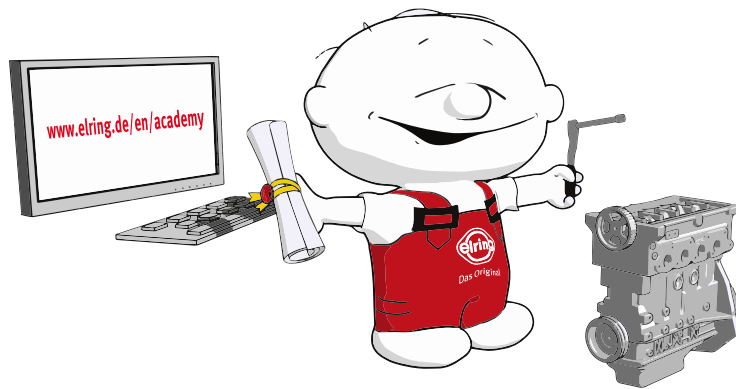


Exploded-view drawings

Our exploded-view drawings show the individual parts of larger assemblies – for greater transparency and more efficient handling. They are always up to date.



Elring Academy



Academy

The new Elring website boasts a comprehensive media center that provides key information around the clock. Once you have brought yourself up to speed on sealing technology there, you can put your acquired knowledge to the test as part of interactive exams. After correctly answering a certain number of questions, you will receive your personal certificate.

This is your chance to become a Certified Expert:

- Register quickly and easily on our website:
www.elring.de/en/academy
- Test your own skills by completing the various exams
- Receive your personal certificates and take advantage of the opportunity to operate as a Certified Expert



Online-Trainings

Information and knowledge at any place, at any time: To achieve this, we offer our customers around the globe a virtual training program without the need to be physically present in a classroom. Our technical online seminars take place live, which means that participants can engage in dialogue via audio conference and text chat.

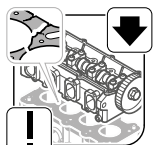
Simply register at service@elring.de. Details of times and dates are provided in regular newsletters, via our website, and on our Facebook page. Further information about the online seminars will then be available from us directly prior to the event.



- Module 1 – Cylinder-head gaskets (CHG) fundamentals → technology of today's CHGs/specialty gaskets
- Module 2 – CHG technologies in aluminum engines/stopper design
- Module 3 – CHG in truck engines → solutions for large engines
- Module 4 – Radial shaft seals (RSS) → from elastomer ring to high-tech integrated radial shaft seal as a PTFE module
- Module 5 – RSS with integrated sensor wheel
- Module 6 – Sealing compounds → state-of-the-art solutions for fluid sealing
- Module 7 – Secondary gaskets → for housings and covers
- Module 8 – Introduction to the Elring Academy
- Module 9 – Training catalog

Installation videos

To assist our retail and workshop associates we can offer practical installation videos. For more details, please subscribe to our YouTube channel.



YouTube



Website



Online Catalog



Service Information



WeChat



Facebook



Instagram



Newsletter



Elring-Service-Hotline

 +49 7123 724-799
service@elring.com

ElringKlinger AG | Aftermarket Division
Max-Eyth-Straße 2 | 72581 Dettingen/Erms | Germany
Phone +49 7123 724-799 | Fax +49 7123 724-798
service@elring.com | www.elring.com

C510306 0822 EN

