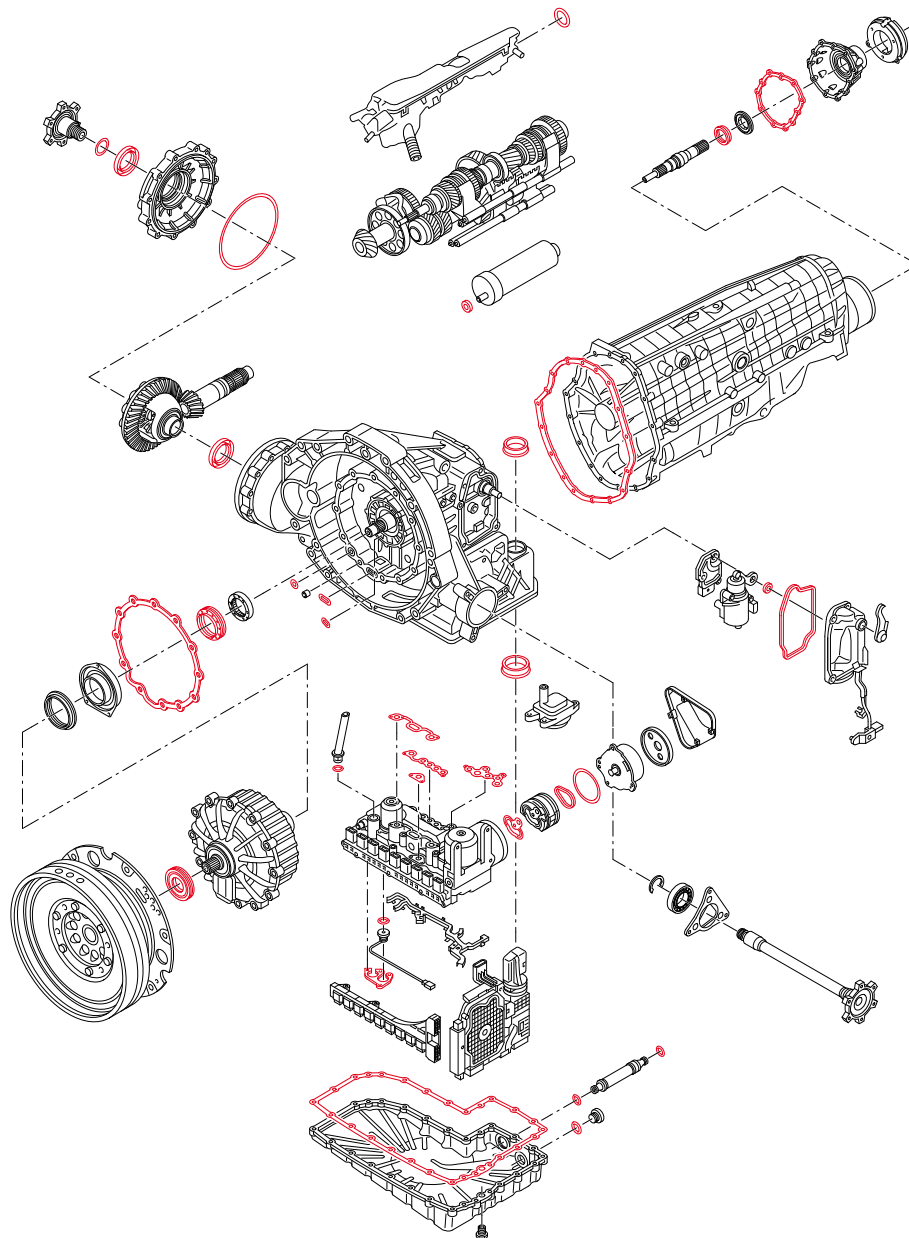


# Gaskets and gasket sets for the professional repair of automatic transmission systems



Das Original

Suitable for



**BMW**

|  |         |                 |         |  |  |  |
|--|---------|-----------------|---------|--|--|--|
|  | A5S325Z | 24 10 1 423 380 | 096.940 |  |  |  |
|  | A5S560Z | 24 11 1 421 140 | 097.620 |  |  |  |
|  | 5HP19   | 1060 298 030    | 821.570 |  |  |  |

**GM**

|  |            |         |         |  |  |  |
|--|------------|---------|---------|--|--|--|
|  | 6T30 (MH9) | 2423724 | 085.930 |  |  |  |
|--|------------|---------|---------|--|--|--|

**Mercedes-Benz**

|  |                            |                  |         |  |  |  |
|--|----------------------------|------------------|---------|--|--|--|
|  | 720.0, 720.2, 720.3, 720.4 | A 305 271 04 80  | 020.273 |  |  |  |
|  | 720.1, 720.5               | A 115 271 16 80  | 020.133 |  |  |  |
|  | 722.0, 722.1, 722.2        | A 115 271 16 80  | 020.133 |  |  |  |
|  | 722.3                      | A 126 270 53 00  | 424.110 |  |  |  |
|  | 722.3                      | A 126 270 61 00  | 476.060 |  |  |  |
|  | 722.3                      | A 126 271 10 80  | 921.386 |  |  |  |
|  | 722.4                      | A 201 270 50 01  | 424.250 |  |  |  |
|  | 722.4                      | A 201 270 48 01  | 447.310 |  |  |  |
|  | 722.4                      | A 201 271 03 80  | 445.710 |  |  |  |
|  | 722.5                      | A 126 271 10 80  | 921.386 |  |  |  |
|  | 722.6                      | A 140 270 65 00  | 428.390 |  |  |  |
|  | 722.6                      | A 140 271 00 80  | 295.540 |  |  |  |
|  | 722.9                      | A 220 271 03 80* | 428.320 |  |  |  |
|  | 722.9                      | A 220 271 03 80* | 428.330 |  |  |  |
|  | 722.9                      | A 220 271 03 80  | 097.630 |  |  |  |

**ZF**

|  |                |                 |         |  |  |  |
|--|----------------|-----------------|---------|--|--|--|
|  | A5S325Z        | 1060 390 002    | 096.940 |  |  |  |
|  | 5HP19          | 1060 298 030    | 821.570 |  | 1060 390 002 <del>✗</del>  |  |
|  | 5HP19/FL       | 1060 298 032    | 821.540 |  | 1056 303 031 <del>✗</del>  |  |
|  | 5HP19/FL       | 1056 303 031    | 634.061 |  | FE   |  |
|  | 5HP19/FLA      | 1060 298 031    | 821.560 |  | 1056 303 031 <del>✗</del>  |  |
|  | 5HP19/FLA      | 1056 303 031    | 634.061 |  | FE   |  |
|  | 5HP24          | 1058 298 022    | 821.530 |  | 0510 314 899 <del>✗</del>  |  |
|  | 5HP24/A        | 1058 298 023    | 821.520 |  | 1058 303 015 <del>✗</del>  |  |
|  | 6HP19/21/x     | 1071 298 007    | 821.450 |  | <del>✗</del> 1058 303 015 <del>✗</del> <del>✗</del>                |  |
|  | 6HP19X         | 0501 322 077    | 040.570 |  |  |  |
|  | 6HP19/A        | 1071 298 010    | 821.460 |  | <del>✗</del> 1071 303 006 & 0501 322 078 <del>✗</del> <del>✗</del> |  |
|  | 6HP19/A        | 0501 322 078    | 125.370 |  |  |  |
|  | 6HP26/A-61     | 1068 298 032/52 | 821.500 |  | <del>✗</del> 1068 303 012 & 0501 323 155 <del>✗</del> <del>✗</del> |  |
|  | 6HP26/28/x     | 1068 298 051    | 821.480 |  | <del>✗</del> 1058 303 017 & 0501 323 155 <del>✗</del> <del>✗</del> |  |
|  | 8HP45/x/HIS    | 1090 298 113    | 821.470 |  | <del>✗</del> 0501 324 810 <del>✗</del> <del>✗</del>                |  |
|  | 8HP55/A/FL/HIS | 1087 298 302    | 821.550 |  | <del>✗</del> 0501 324 798 <del>✗</del> <del>✗</del>                |  |
|  | 8HP70/x/HIS    | 1087 298 282    | 821.430 |  | <del>✗</del> 0501 324 810 <del>✗</del> <del>✗</del>                |  |

Suitable for



**Audi**

|  |                  |               |         |  |  |  |
|--|------------------|---------------|---------|--|--|--|
|  | DL382-7F OCK     |               | 876.480 |  |  |  |
|  | DL382-7F OCK     | OCK 321 371   | 478.560 |  |  |  |
|  | DL382-7F OCK     | OCK 331 261 A | 852.050 |  |  |  |
|  | DL382-7F OCK     | OCS 409 400   | 846.250 |  |  |  |
|  | DL382-7F OCK     | OCS 409 399   | 876.400 |  |  |  |
|  | DL382-7Q OCL/OCJ |               | 876.520 |  |  |  |
|  | DL382-7Q OCL/OCJ | OCK 321 371   | 478.560 |  |  |  |
|  | DL382-7Q OCL/OCJ | OCK 331 261 A | 852.050 |  |  |  |
|  | DL382-7Q OCL/OCJ | OCS 409 400   | 846.250 |  |  |  |
|  | DL382-7Q OCL/OCJ | OCS 409 399   | 876.400 |  |  |  |
|  | DL382-7Q OCL/OCJ | OB2 409 400   | 876.330 |  |  |  |
|  | DL501-7Q OB5     |               | 876.340 |  |  |  |
|  | DL501-7Q OB5     | OB5 321 371 F | 451.351 |  |  |  |
|  | DL501-7Q OB5     | OB5 301 227 C | 852.110 |  |  |  |
|  | DL501-7Q OB5     | OB4 409 400 D | 290.710 |  |  |  |
|  | DL501-7Q OB5     | OAW 409 400   | 852.090 |  |  |  |
|  | DL501-7Q OB5     | OAW 409 399   | 852.060 |  |  |  |
|  | DL501-7Q OB5     | OB2 409 400   | 876.330 |  |  |  |

**Porsche**

|  |                                   |               |         |  |  |  |
|--|-----------------------------------|---------------|---------|--|--|--|
|  | A5B00, A5B01, A5B02, A5B03, A5B04 |               | 876.340 |  |  |  |
|  | A5B00, A5B01, A5B02, A5B03, A5B04 | OB5 311 113 F | 451.351 |  |  |  |
|  | A5B00, A5B01, A5B02, A5B03, A5B04 | OB5 301 227 C | 852.110 |  |  |  |
|  | A5B00, A5B01, A5B02, A5B03, A5B04 | OB4 409 400 D | 290.710 |  |  |  |
|  | A5B00, A5B01, A5B02, A5B03, A5B04 | OAW 409 400   | 852.090 |  |  |  |
|  | A5B00, A5B01, A5B02, A5B03, A5B04 | OAW 409 399   | 852.060 |  |  |  |
|  | A5B00, A5B01, A5B02, A5B03, A5B04 | OB2 409 400   | 876.330 |  |  |  |

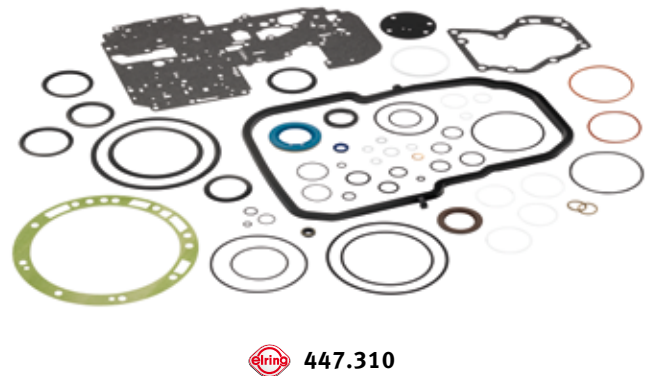
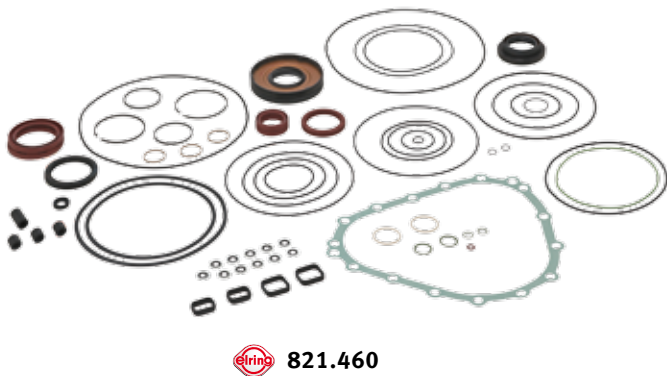
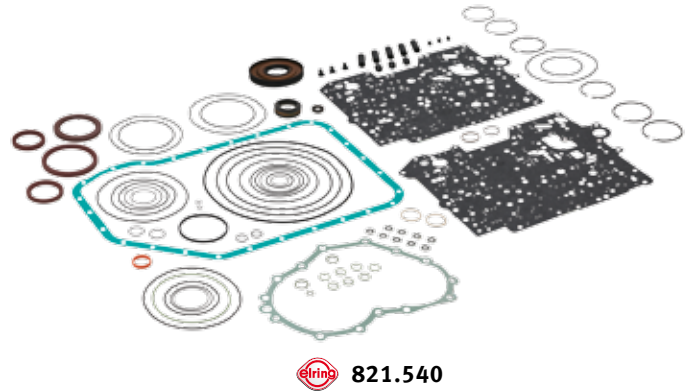
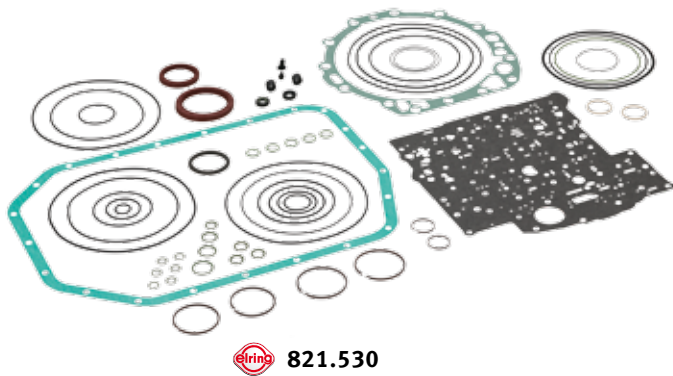
**Volkswagen**

|  |     |               |         |  |  |  |
|--|-----|---------------|---------|--|--|--|
|  | 10  | 010 398 007 B | 094.072 |  |  |  |
|  | 10  | 010 321 371 B | 248.339 |  |  |  |
|  | 96  | 096 321 370   | 096.330 |  |  |  |
|  | 09D | 09D 321 371   | 429.960 |  |  |  |
|  | 09G | 09G 321 370   | 430.090 |  |  |  |
|  | 09K | 09K 321 370   | 901.360 |  |  |  |
|  | 09L | 09L 321 371 A | 125.370 |  |  |  |
|  | OAT | OAT 321 371   | 040.570 |  |  |  |
|  | OAW | OAW 301 475 B | 354.650 |  |  |  |
|  | OAW | OAW 301 463 C | 492.290 |  |  |  |
|  | OB5 | OB5 321 371 E | 451.350 |  |  |  |

Key benefits of Elring gaskets and gasket sets:

- No vehicle-specific research required
- Exact match of Elring gaskets and gasket sets for vehicle and automatic transmission
- Gasket set includes all necessary gaskets and seals for repair job
- Time savings thanks to the provision of details on all required gaskets/seals
- All gaskets and parts supplied by gasket specialist in OEM quality

Our gaskets and gasket sets for the professional repair of automatic transmissions offer genuine advantages. What is more, you can look forward to full technical support via our free service hotline.



Elring has added user-friendly gaskets and gasket sets to its range of products, specially designed for the repair of automatic transmissions. These new gaskets and gasket sets cover a range of different transmission designs from major vehicle manufacturers. This is your chance to extend your scope of service and save valuable time. Each gaskets and gasket sets includes everything needed for professional sealing in the field of automatic transmission repair, e.g.:

- Oil pan gaskets
- Oil stem seals
- O-rings
- Retaining rings
- Special rubber components
- Gaskets/seals for the transmission control unit

The demands placed on modern automatic transmissions are enormous. High mileages, significant speeds, and multiple gear changes soon add up, causing gradual wear and tear when it comes to key components. This often results in long-term damage to the system. The following aspects may help you to identify serious issues at an early stage and avoid expensive damage to the transmission:

- The automatic transmission slips during gear changes
- The automatic transmission no longer produces forward momentum
- There is a distinct delay when shifting into drive
- The automatic transmission oil is discolored and smells burnt
- There are unusual sounds such as whining, clunking, or grinding



ElringKlinger AG | Aftermarket Division  
 Max-Eyth-Straße 2 | 72581 Dettingen/Erms | Germany  
 Phone +49 7123 724-601 | Fax +49 7123 724-609  
 Elring-Service-Hotline  
 Phone +49 7123 724-799 | Fax +49 7123 724-798  
 service@elring.com | www.elring.com

C5101921218 EN

